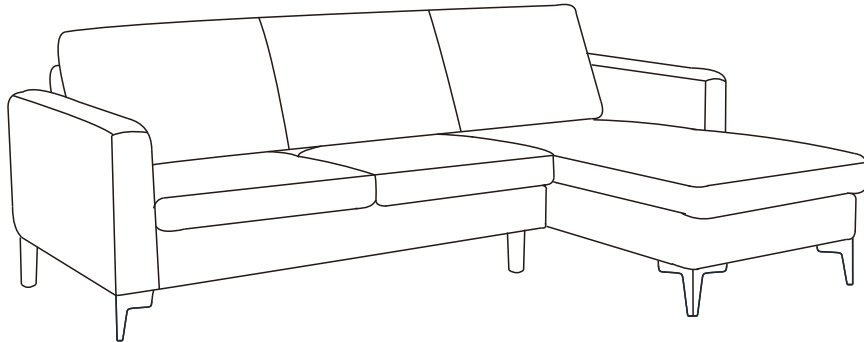


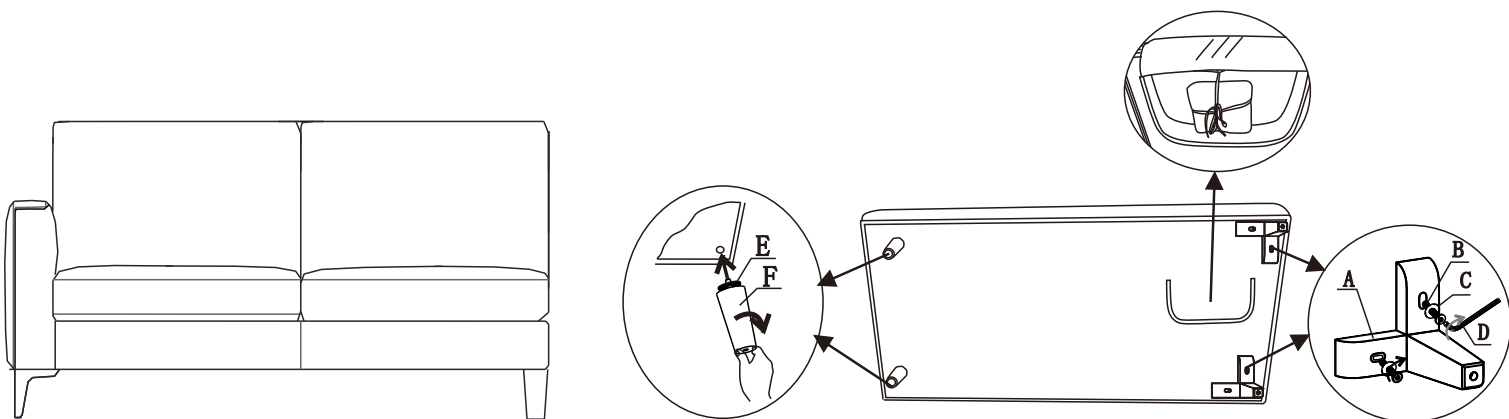
Ari -KF.2091

IMPORTANT: Please read these assembly instructions carefully before beginning assembly. Retain for future reference. CAUTION: This product is heavy. Assemble with the assistance of another adult. Do not assemble in the presence of children.



To Assemble:

Legs are located inside the black dust cover at the bottom of each sofa piece. Unzip to remove the legs. Attach the corner legs to the corresponding pre-drilled holes using the provided hardware.



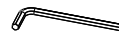
A*2
Legs A



B*4
Screws



C*4
Gasket



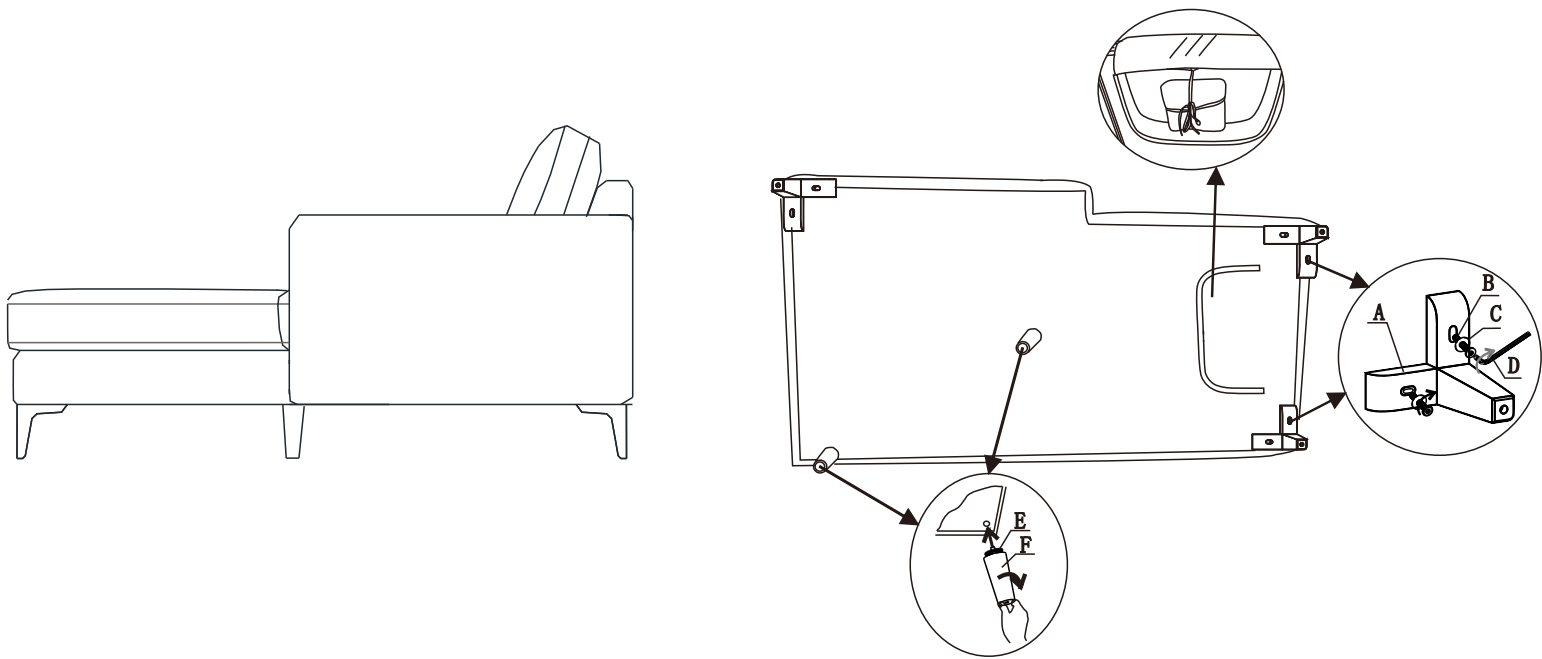
D*1
Hex wrench



E*2
Legs E



F*2
Rubber mat



A*3

Legs A



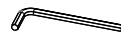
B*6

Screws



C*6

Gasket



D*1

Hex wrench



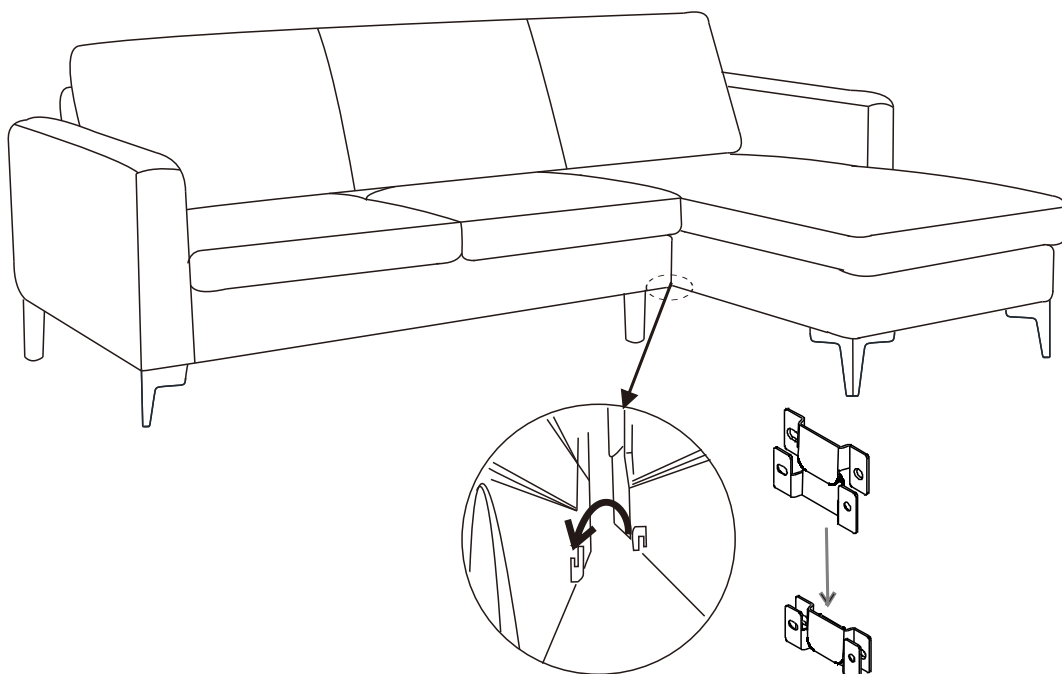
E*2

Legs E



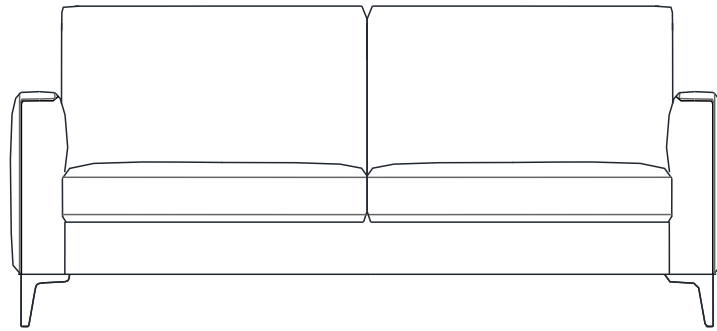
F*2

Rubber mat



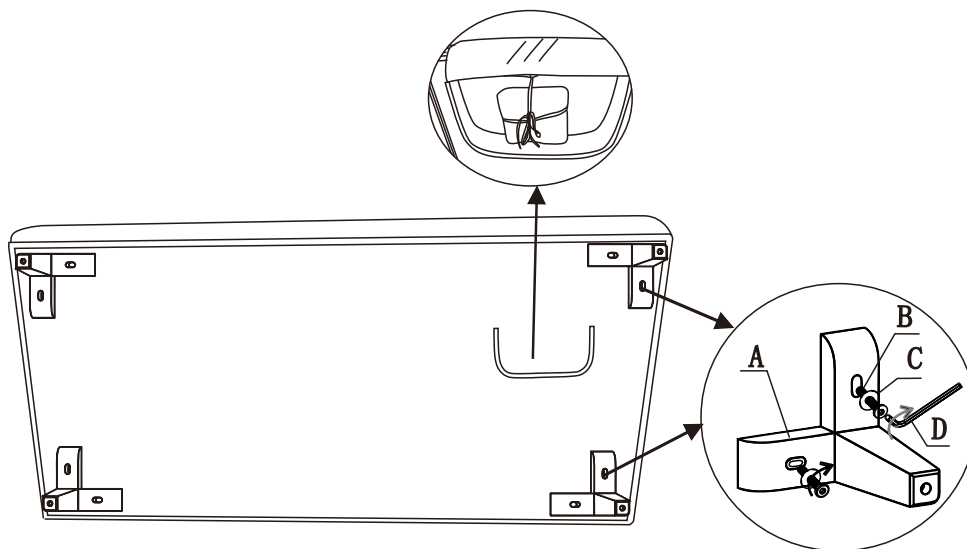
Ari -KF.2091

IMPORTANT: Please read these assembly instructions carefully before beginning assembly. Retain for future reference. CAUTION: This product is heavy. Assemble with the assistance of another adult. Do not assemble in the presence of children.



To Assemble:

Legs are located inside the black dust cover at the bottom of each sofa piece. Unzip to remove the legs. Attach the corner legs to the corresponding pre-drilled holes using the provided hardware.



A*4

Legs



B*8

Screws



C*8

Gasket

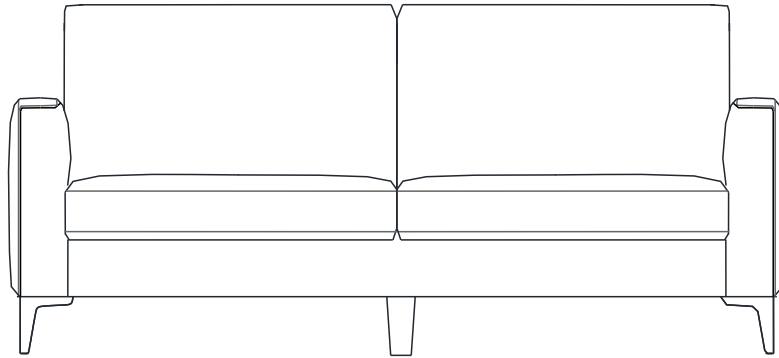


D*1

Hex wrench

Ari -KF.2091

IMPORTANT: Please read these assembly instructions carefully before beginning assembly. Retain for future reference. CAUTION: This product is heavy. Assemble with the assistance of another adult. Do not assemble in the presence of children.



To Assemble:

Legs are located inside the black dust cover at the bottom of each sofa piece. Unzip to remove the legs. Attach the corner legs to the corresponding pre-drilled holes using the provided hardware.

